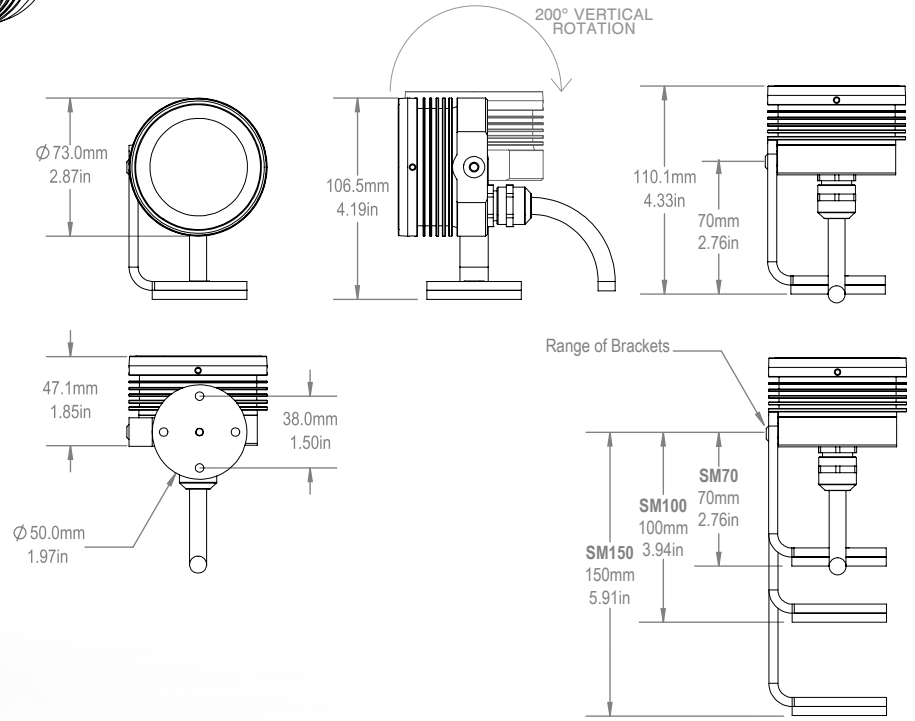


Monochromatic Architectural Spot and Flood Light

PRODUCT SPECIFICATION SHEET



| | |
|----------|--|
| DATE: | |
| TYPE: | |
| COMPANY: | |
| PROJECT: | |



FEATURES:

- Fully sealed body design
- Machined and architectural anodized aluminum body
- Optically clear tempered glass
- Leader cable with proprietary moisture blocking design (IP68²)
- 5 year limited warranty
- Compact size, only 73mm (2.9in) in diameter
- Highly adjustable with 360° horizontal and 200° vertical rotation

OPTIONS:

- Range of LED color temperatures
- Beam angles ranging from 7° to 85° with elliptical distribution options
- Optical accessories for glare control
- Black matte and clear matte anodized colors
- Range of bracket lengths
- Outdoor Cable option suitable for outdoor exposed runs or Outdoor Burial Cable option suitable for outdoor exposed runs and direct burial (landscape applications).

SPECIFICATION LOGIC: LIRA™ MONO

| FAMILY | BODY COLOR | POWER | LED COLOR | CONTROL | INPUT VOLTAGE | OPTICS (FWHM) | FLYING LEAD LENGTH | CABLE TYPE | MOUNTING |
|------------------------------|----------------------------------|-----------------|--------------------------------|----------------------------------------------------|---------------|-------------------|------------------------------------------------------------------------------------------------------------------------------------------------------------------------------------------------|-----------------------------------------------------------------|--------------------------------------------------|
| LIRA | BM - Black Matte | 5W ¹ | 2700K | ND - Non-Dimming DMX - DMX Control ¹ | 24VDC | 07 - 07°x07° | LL1 - 1.0m (3.3ft) LL2.5 - 2.5m (8.2ft) LL5 - 5.0m (16.4ft) LL7.5 - 7.5m (24.6ft) LL10 - 10.0m (32.8ft) LL15 - 15.0m (49.2ft) LL20 - 20.0m (65.6ft) LL25 - 25.0m (82.0ft) | OD - Outdoor OB - Outdoor Burial ¹ (Landscape) | SM70 SM100 ¹ SM150 ¹ |
| | CM - Clear Matte | 8W ¹ | 3000K | | | 10 - 10°x10° | | | |
| | CUST - Custom Color ¹ | 10W | 3500K | | | 20 - 20°x20° | | | |
| | | | 4000K | | | 40 - 40°x40° | | | |
| | | | 5000K | | | 55 - 55°x55° | | | |
| | | | 6500K | | | 75 - 75°x75° | | | |
| | | | GR - Green ¹ | | | 85 - 85°x85° | | | |
| | | | RD - Red ¹ | | | 10x40 - 10°x40° H | | | |
| | | | BL - Blue ¹ | | | 40x10 - 40°x10° V | | | |
| | | | AM - Amber ¹ | | | 10x60 - 10°x60° H | | | |
| | | | RO - Red Orange ¹ | | | 60x10 - 60°x10° V | | | |
| | | | BG - Bluish Green ¹ | | | 30x55 - 30°x55° H | | | |
| RB - Royal Blue ¹ | 55x30 - 55°x30° V | | | | | | | | |

PRODUCT CONFIGURATION

1. Non-standard option or in development. Contact factory for lead times.
2. Product has been designed to achieve or surpass IP66/68 ratings, certification pending.

Monochromatic Architectural Spot and Flood Light

PRODUCT SPECIFICATION SHEET

| PRODUCT SPECIFICATIONS: LIRA™ MONO | | | | | |
|------------------------------------|---------------------------------------------|----------------------------------------------------------------------------------------|-------------------------------------------------------------------------------|-------------------------------------------------|--|
| ELECTRICAL | Rated Input Voltage | 24VDC | | | |
| | Power Consumption (max.) | 10W | | | |
| | AC/DC Power Supply | GVA Lighting, Inc. PS-ELV24-100~277VAC-IP66/IP40, or suitable 24V Class2 power supply | | | |
| OPTICAL | Light Source | Single High Power Monolithic LED | | | |
| | CRI | 80 CRI (70 CRI available with higher flux ¹) | | | |
| | MONO 10W Output (typical) 7° | CCT | Luminous Flux (lm) | Peak Intensity (cd) | |
| | | 2700K | 648 | 30,780 | |
| | | 3000K | 720 | 34,200 | |
| | | 3500K | 800 | 38,000 | |
| | | 4000K | 880 | 41,800 | |
| | | 5000K | 968 | 45,980 | |
| | 6500K | 1,064 | 50,578 | | |
| | Optics (FWHM) | 07 (07°x07°) | 10x40 (10°x40° H) | | |
| 10 (10°x10°) | | 40x10 (40°x10° V) | | | |
| Projected Lumen Maintenance | 20 (20°x20°) | 10x60 (10°x60° H) | VERTICAL (40°x10°) HORIZONTAL (10°x40°) | | |
| | 40 (40°x40°) | 60x10 (60°x10° V) | | | |
| | 55 (55°x55°) | 30x55 (30°x55° H) | | | |
| | 75 (75°x75°) | 55x30 (55°x30° V) | | | |
| | 85 (85°x85°) | | | | |
| | Projected Lumen Maintenance | | | L70 > 60,000hrs @ t _a = 50°C (122°F) | |
| | CONTROL | Control Systems | | Non-Dimming | |
| PHYSICAL | Size (HxWxD) | mm | 106.5 x 73.90 x 47.1 | | |
| | | inches | 4.19 x 2.87 x 1.85 | | |
| | Weight | kg | 0.38 | | |
| | | lbs | 0.84 | | |
| | Housing | Machined and architectural anodized aluminum body, optically clear tempered glass | | | |
| | Fixture Connections | ND | 2 conductor power cable with stripped wires and proprietary moisture blocking | | |
| DMX ¹ | | 7 conductor power and data cable with stripped wires and proprietary moisture blocking | | | |
| Rated Operation Temperature | -30°C (-22°F) to +50°C (122°F) | | | | |
| Environment | Dry, Damp or Wet Locations, 0-100% Humidity | | | | |
| Listings | RoHS | | | | |
| CERTIFICATION & SAFETY | IEC Classifications | Class 2 LED Luminaire | | | |
| | IP66 | Constructed to meet requirements outlined in UL 1838 & 8750 | | | |

1 - Non-standard option or in development. Contact factory for lead times.

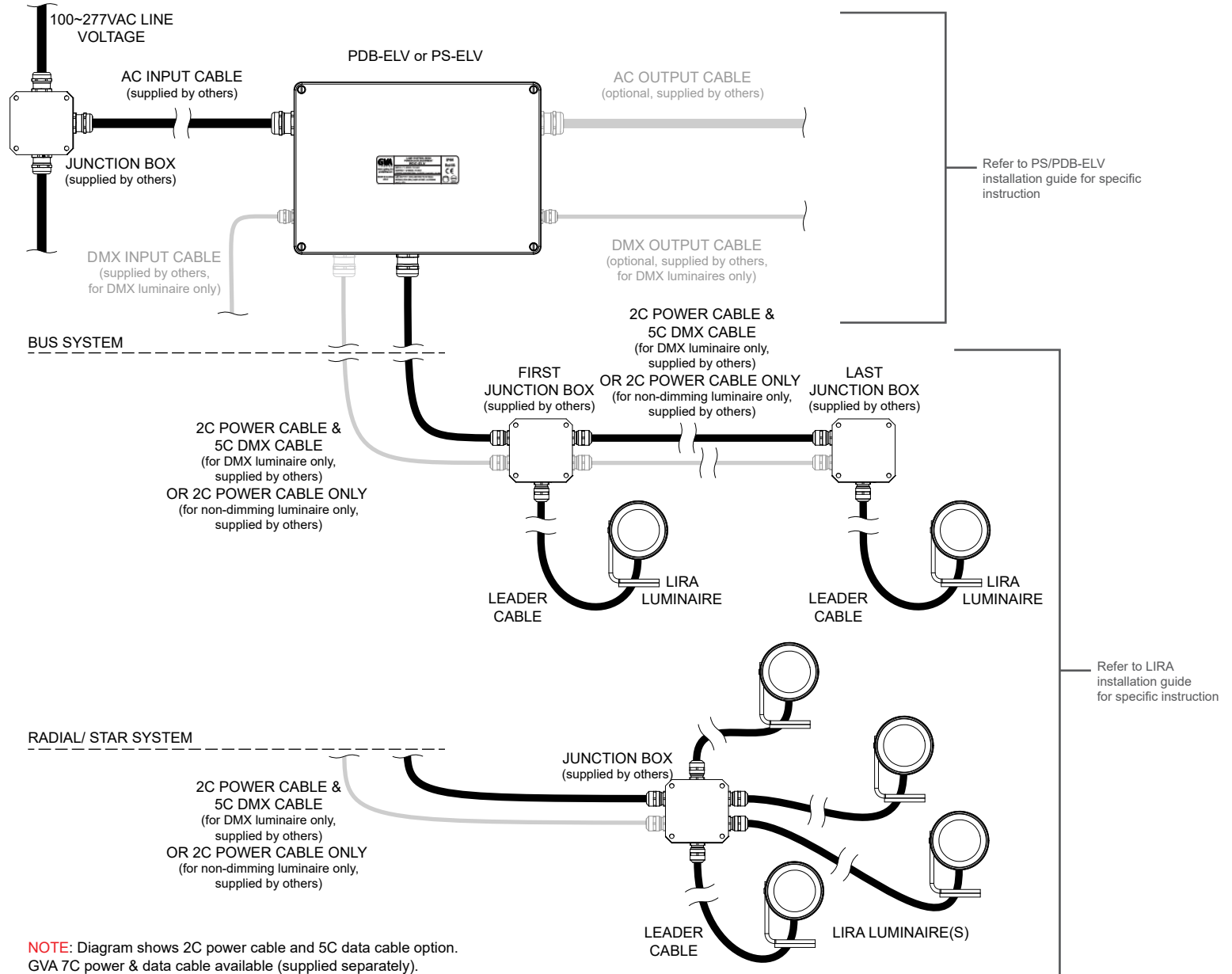
These figures are subject to change due to further development and innovations of LED light sources.

Monochromatic Architectural Spot and Flood Light

PRODUCT SPECIFICATION SHEET

TYPICAL SYSTEM DIAGRAM: LIRA™ MONO

NOTE: Cable length, gauge, and fixture quantity is directly proportionate to the maximum fixture distance from the power-data box. Minimum working voltage of LIRA luminaire is 18VDC. Please consult GVA Lighting for more information.



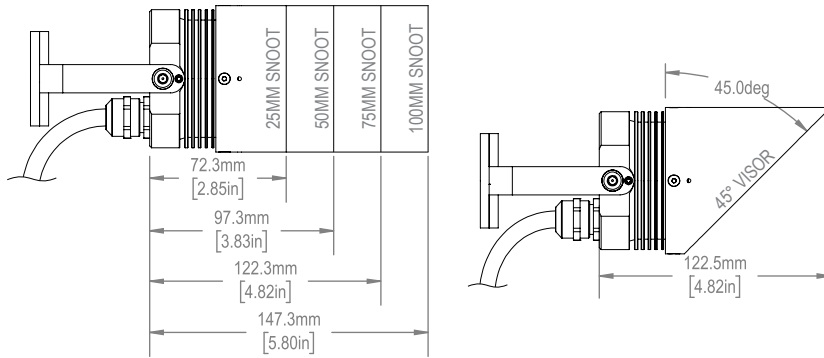
NOTE: Diagram shows 2C power cable and 5C data cable option. GVA 7C power & data cable available (supplied separately).

Monochromatic Architectural Spot and Flood Light

PRODUCT SPECIFICATION SHEET

ORDERING LOGIC: LIRA OPTICAL ACCESSORIES

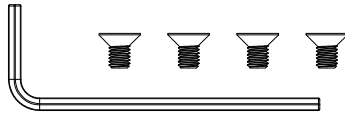
SNOOTS & VISORS



| COLOR | 25MM | 50MM | 75MM | 100MM | VISOR |
|----------------------|--------|--------|--------|--------|--------|
| Clear Matte Anodized | 122299 | 122302 | 122305 | 122308 | 122314 |
| Black Matte Anodized | 122300 | 122303 | 122306 | 122309 | 122315 |
| Custom Color | 122301 | 122304 | 122307 | 122310 | 122316 |

NOTE: Visor can be installed at any 90° orientation. See installation guide for details.
NOTE: Order 1 screw kit per every snoot and visor.

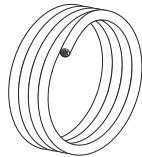
VISOR & SNOOT SCREW KIT



PART NO.
122907

NOTE: Order 1 screw kit per every snoot and visor.

CABLE



| TYPE | LENGTH | PART NUMBER |
|-----------------|-------------------|-------------|
| 2C OUTDOOR (OD) | Specify in Meters | 280275 |